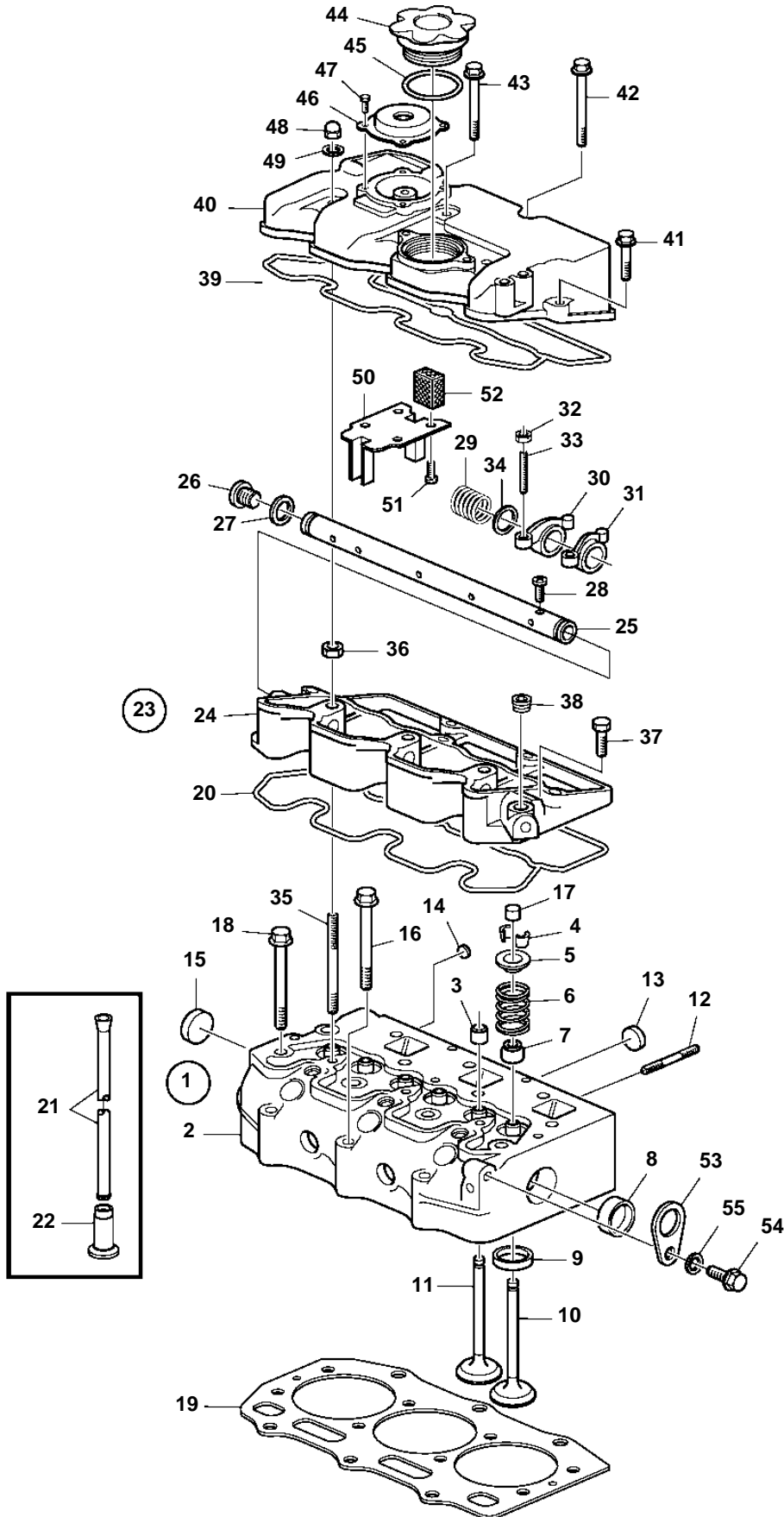


D1-30



D1-30

REF	PART NO.	QTY	DESCRIPTION	NOTES
1	3803893	1	Cylinder head, exch	
2		1	Cylinder head	
	3803893	1	Cylinder head, exch	Exchange unit
3	3580305	3	· Valve stem seal	
4	3580308	12	· Valve cone	
5	3580307	6	· Valve spring washer	
6	3580964	6	· Valve spring	
7	3580306	3	· Valve stem seal	
8	3580302	1	· Plug	
9	3809624	6	· Valve seat	
10	3884528	3	· Inlet valve	
11	3580304	3	· Exhaust valve	
12	3884527	2	· Inlet valve	
13	861802	6	· Plug	
14	861801	2	· Plug	
15	3580302	1	· Plug	
16	3580311	3	Screw	
17	3580481	6	Valve cap	
18	3580310	11	Screw	
19		1		T=1,2 MM
	3840842	1	Gasket	T=1,3 MM
20	3812197	2	Gasket	
21	3884533	6	Push rod	
22	861827	6	Lifter	
23	3840882	1	Rocker arm	COMPLETE
24		1	· Bracket	
25	3884529	1	· Rocker arm shaft	
26	3884532	1	· Plug	
27	3884530	1	· O-ring	
28	3884531	1	· Screw	
29	3580315	2	· Spring	
30	3581292	3	· Rocker arm	
31	3581291	3	· Rocker arm	
32	861878	6	· Nut	
33	861877	6	· Adjuster screw	
34	861883	6	Shim	
35	861885	3	· Stud	
36	948645	3	· Lock nut	
37	3840802	2	· Screw	
38	3809690	1	Plug	
39	3884548	1	Gasket	
40	3840854	1	Valve cover	
41	3840802	2	Screw	
42	965178	2	Flange screw	
43	861899	1	Flange screw	
44	3583541	1	Oil filler cap	
45	861897	1	O-ring	
46	3583660	1	Valve	
47	3583659	4	Screw	
48	3580241	3	Nut	
49	11992	3	Gasket	
50	3884547	1	Bracket	
51	3583663	6	Screw	
52	3580320	1	Filter	
53		2	Lifting eye	
54	946173	2	Flange screw	
55	191172	2	Washer	